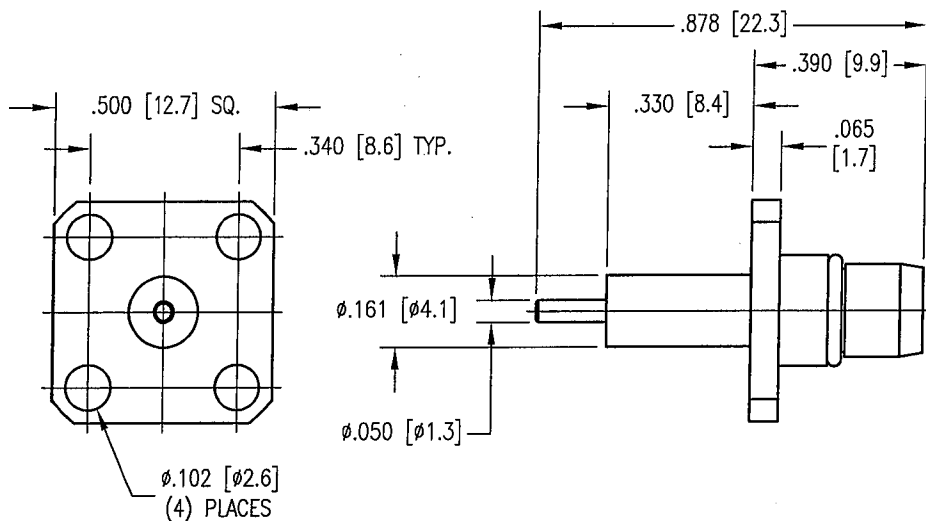


BMA: PLUGS, PANEL MOUNT

4-HOLE FLANGE MOUNT PLUG

PART NUMBER

360-065-0040H

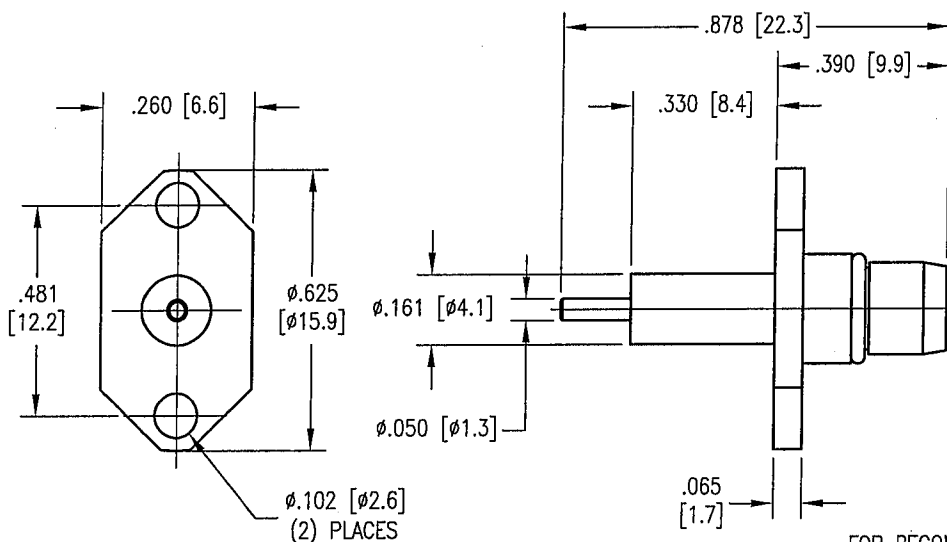


PART NUMBER SHOWN IS FOR GOLD PLATED BODY
FOR TRI-METAL FINISH CHANGE LAST LETTER TO "R"
FOR RECOMMENDED MOUNTING HOLE SEE APPENDIX A, NO. 065

2-HOLE FLANGE MOUNT PLUG

PART NUMBER

360-066-0040H

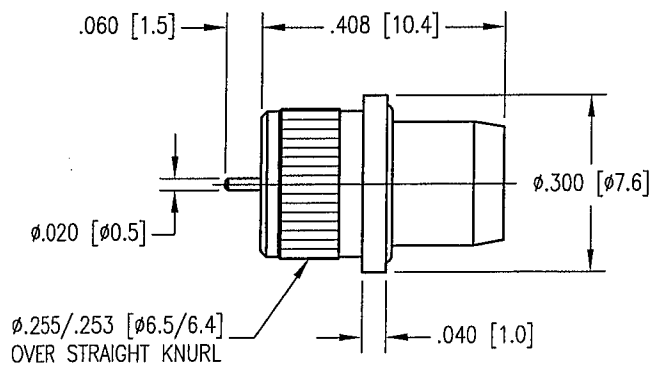


PART NUMBER SHOWN IS FOR GOLD PLATED BODY
FOR TRI-METAL FINISH CHANGE LAST LETTER TO "R"
FOR RECOMMENDED MOUNTING HOLE SEE APPENDIX A, NO. 066

PRESS-FIT PANEL PLUG

PART NUMBER

360-020-0040H



PART NUMBER SHOWN IS FOR GOLD PLATED BODY
FOR TRI-METAL FINISH CHANGE LAST LETTER TO "R"
FOR RECOMMENDED MOUNTING HOLE SEE APPENDIX A, NO. 020A